

# PYROBEL 12

**FIRE RATING:  
30 MINUTES INTEGRITY / 30 MINUTES INSULATION**

## DESCRIPTION

Pyrobel is a multi-laminated glass assembled with clear intumescent interlayers.

In the event of fire, these interlayers expand at around 120 °C and transform into a rigid and opaque fire shield, which enables the glazing to meet the integrity and insulation criteria, according to BS 476 : Part 22 : 1987.

## TECHNICAL DATA

SPECIFICATION & IDENTIFICATION	PYROBEL 12 EI30 GLAVERBEL	PYROBEL 12 EG EI30 GLAVERBEL	PYROBEL 12 or 12 EG EI30 GLAVERBEL
Glazing Type	Single	Single	Double Glazed
Grade	Internal	External	External
Thickness	12 mm	16 mm	6/12/16 = 34 mm 6.8/12/12 = 31 mm
Thickness Tolerance	± 1 mm	± 1 mm	± 2 mm
Weight	27 kg/m <sup>2</sup>	35 kg/m <sup>2</sup>	50 kg/m <sup>2</sup>
Dimension Tolerance	± 2 mm	± 2 mm	± 3 mm
Light Transmission	86 %	85 %	76 %
U Value	5.5 W/m <sup>2</sup> K	5.3 W/m <sup>2</sup> K	2.8 W/m <sup>2</sup> K
Safety Rating (BS 6206)	Class B	Class A	Class A (*)
Sound Reduction (ISO 717 Rw Index)	38 dB	39 dB	41 dB

(\*) on Pyrobel 12 EG or 6.8 laminated glass side

## APPLICATIONS AND CERTIFICATION ACCORDING TO BS 476: PART 22: 1987

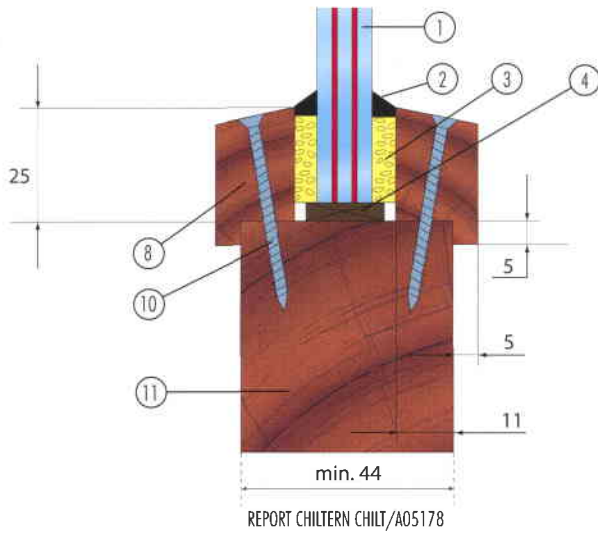
APPLICATIONS	MAXIMUM DIMENSIONS (*) (Width x Height)	GLASS TYPE	CERTIFICATION
Timber Doorsets (Certifire & Q-Mark approved)	890 x 2300 mm	Pyrobel 12	Certifire CF377
	710 x 1830 mm	Pyrobel 12	Chiltern Chilt/A05178
Timber Screens	1200 x 2300 mm 1661 x 1661 mm	Pyrobel 12	Certifire CF377
	1200 x 2000 mm 1550 x 1550 mm	Pyrobel 12 Double-Glazed	Certifire CF377
	1200 x 2300 mm 1661 x 1661 mm	Pyrobel 12	Certifire CF377
Steel Screens	1230 x 2350 mm 1700 x 1700 mm	Pyrobel 12 Double-Glazed	Certifire CF377
	1220 x 2300 mm	Pyrobel 12	Warrington WFRC C82183
	1200 x 2300 mm	Pyrobel 12, 12 EG, & Double-Glazed	IFC IFCA/02110A

(\*) For alternative dimensions within pane area please consult Glaverbel

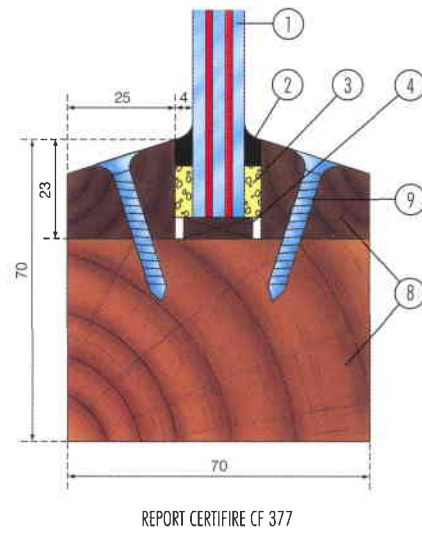
# PYROBEL 12

(dimensions in mm)

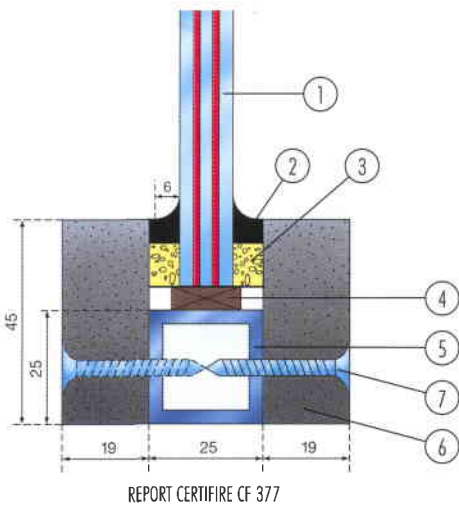
## Timber Doorset



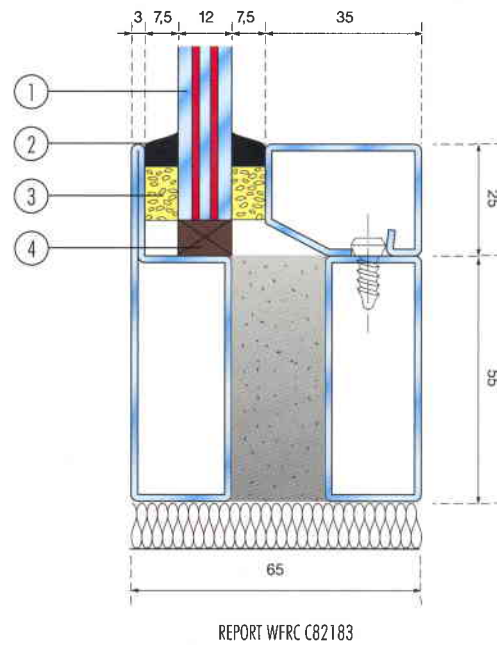
## Timber Screen



## Steel Screen



## Steel Screen Forster Fuego



- 1 Pyrobel 12
- 2 Neutral silicone
- 3 Foam tape with closed cells
- 4 Setting block

- 5 Steel tube 25 x 25 x 3 mm
- 6 Calcium Silicate
- 7 Steel screws 35 x 3,5 mm at 250 mm centres
- 8 Hardwood

- 9 Steel screw 38 x 4 mm at 250 mm centres
- 10 Steel screw 50 mm long
- 11 Wood or other approved constructions

Diagrams for illustration purposes only. For full glazing details please refer to the relevant test report.

# PYROBEL 16

**FIRE RATING:  
60 MINUTES INTEGRITY/30 MINUTES INSULATION**

## DESCRIPTION

Pyrobel is a multi-laminated glass assembled with clear intumescent interlayers. In the event of fire, these interlayers expand at around 120 °C and transform into a rigid and opaque fire shield, which enables the glazing to meet the integrity and insulation criteria, according to BS 476: Part 22: 1987.

## TECHNICAL DATA

SPECIFICATION & IDENTIFICATION	PYROBEL 16 E60 / EI30 AGC	PYROBEL 16EG E60 / EI30 AGC	PYROBEL 16 or 16EG E60 / EI30 AGC
Glazing Type	Single	Single	Double Glazed
Grade	Internal	External	External
Nominal Thickness	17,3 mm	21,1 mm	a) 6/12/Pyrobel 16EG = 39,1 mm b) 6.8/12/Pyrobel 16 = 36,1 mm
Thickness Tolerance	± 1 mm	± 1,5 mm	± 3 mm
Weight	40 kg/m <sup>2</sup>	48 kg/m <sup>2</sup>	a) 63 kg/m <sup>2</sup> b) 56 kg/m <sup>2</sup>
Dimension Tolerance	± 2 mm	± 2 mm	± 3 mm
Light Transmission (EN410)	84 %	83 %	74 %
U <sub>g</sub> Value (EN673)	5.4 W/(m <sup>2</sup> .K)	5.2 W/(m <sup>2</sup> .K)	2.7 W/(m <sup>2</sup> .K)
Safety Rating (BS 6206) (EN12600)	Class B 2B2	Class A 1B1	Class A (*) a) NPD / 1B1 b) 1B1 / 2B2
Sound Reduction Rw Index (EN12758)	39 dB	39 dB	41 dB (estimated)
(*) on Pyrobel 16 EG or 6.8 laminated glass side NPD = No Performance Determined			

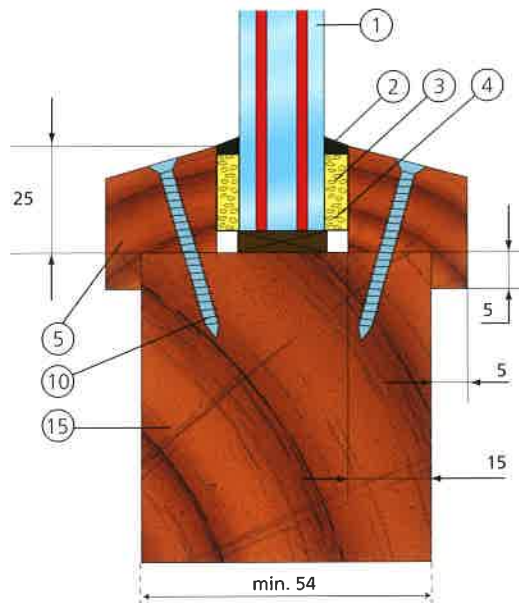
## APPLICATIONS AND CERTIFICATION ACCORDING TO BS 476:PART 22:1987

APPLICATIONS	MAXIMUM DIMENSIONS (*) (Width x Height)	GLASS TYPE	CERTIFICATION
Timber Doorsets (Certifire & Q-Mark approved)	710 x 1830 mm	Pyrobel 16 & 16EG	Certifire CF377 Chiltern Chilt/A05178
Timber Screens	1400 x 2700 mm 1944 x 1944 mm	Pyrobel 16 & 16EG	Certifire CF377
	1400 x 2700 mm	Pyrobel 16 Double Glazed	BRE CC201156
	For EI30 applications only 1600 x 2900 mm 1920 x 1900 mm	Pyrobel 16 & 16EG	Certifire CF377
	For EI30 applications only 1700 x 2900 mm 2125 x 1700 mm	Pyrobel 16 & 16EG Double Glazed	Certifire CF377
Steel Screens - Calcium silicate insulated steel frame	1400 x 2970 mm 2040 x 2040 mm	Pyrobel 16	Warrington WFRC C102254
Steel Screens - Jansen Janisol 2 or Certifire approved	900 x 2900 mm 2060 x 500 mm	Pyrobel 16	Certifire CF377
Steel Screens - Jansen Janisol 2, Forster Fuegolight or Certifire approved	For EI30 applications only 1600 x 2900 mm 1920 x 1900 mm	Pyrobel 16 & 16EG	Certifire CF377
Steel Screens - Jansen Janisol 2	For EI30 applications only 1440 x 2935 mm	Pyrobel 16 & 16EG Double Glazed	Certifire CF377
Steel Screens - Jansen Economy 50 or Certifire approved	For E60 applications only 695 x 2140 mm 1613 x 641 mm	Pyrobel 16	Certifire CF377
Aluminium Screens - Schüco BF50+ and BF60+	For EI30 applications only 1252 x 2860 mm 2860 x 1400 mm	Pyrobel 16 & 16EG Double Glazed	Certifire CF377
Aluminium Screens - Sapa 4150	For EI30 applications only 1500 x 2900 mm	Pyrobel 16 & 16EG Double Glazed	Certifire CF377
(*) For alternative dimensions within pane area please consult AGC Glass Europe			

# PYROBEL 16

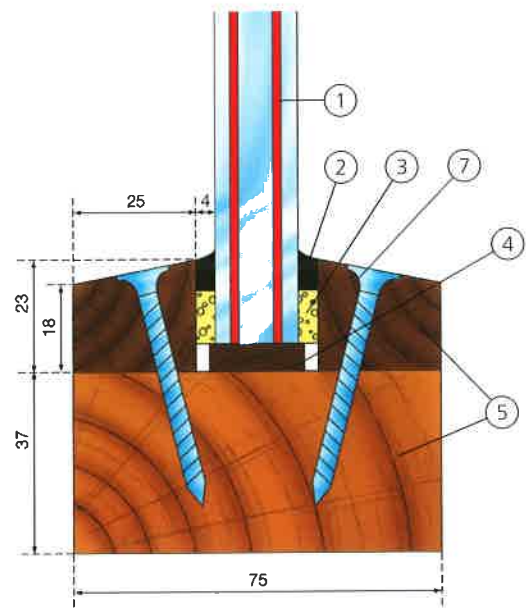
(dimensions in mm)

## Timber Doorset



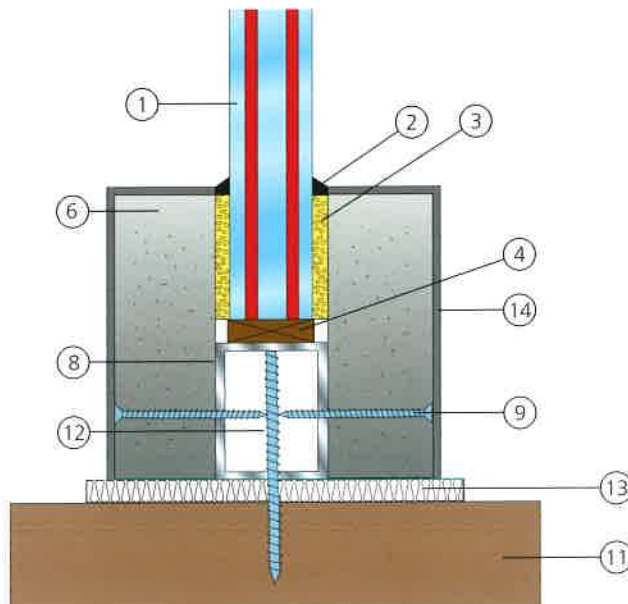
REPORT CHILTERN CHILT/A05178

## Timber Screen



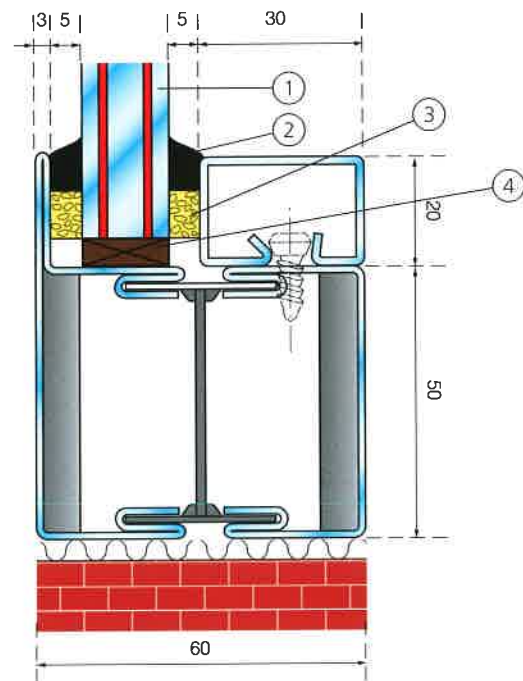
REPORT CERTIFIRE CF377

## Steel Screen



REPORT WARRINGTON WFRC C102254

## Steel Screen - Jansen Janisol 2



REPORT CERTIFIRE CF377

- |  |   |
|--|---|
| 1 Pyrobel 16                               | 9 MT screws 35 x 5 mm                   |
| 2 Silicone Sealant                         | 10 Steel screws 60 x 4 mm               |
| 3 Foam tape with closed cells              | 11 Supporting Construction              |
| 4 Setting block                            | 12 Wood screw 50 x 5 mm + Plug          |
| 5 Hardwood                                 | 13 Rock Wool                            |
| 6 Calcium Silicate 49 x 20mm               | 14 Aesthetic Metal Cladding             |
| 7 Steel screws 50 x 4 mm at 250 mm centres | 15 Wood or other approved constructions |
| 8 Steel tube 25 x 25 x 3mm                 |   |

Diagrams for illustration purposes only. For full glazing details please refer to the relevant test report.

www.yourglass.com



GLASS UNLIMITED

Overseas markets : AGC Glass Europe - Seneffe plant - Tel. : +32(0)64 51 05 19 - Fax : +32(0)64 55 80 80 - pyrobel@eu.agc-group.com  
 United Kingdom & Ireland : AGC Flat Glass United Kingdom - Tel. : +44(0)1788 535353 - Fax : +44(0)1788 560853 - sales.uk@eu.agc-group.com

# PYROBEL 25

**FIRE RATING:  
60 MINUTES INTEGRITY / 60 MINUTES INSULATION**

## DESCRIPTION

Pyrobel is a multi-laminated glass assembled with clear intumescent interlayers.

In the event of fire, these interlayers expand at around 120 °C and transform into a rigid and opaque fire shield, which enables the glazing to meet the integrity and insulation criteria, according to BS 476: Part 22: 1987.

## TECHNICAL DATA

Specification & Identification	Pyrobel 25 EI60 AGC	Pyrobel 25EG EI60 AGC	Pyrobel 25 or 25EG EI60 AGC
Glazing Type	Single	Single	Double Glazed
Grade	Internal	External	External
Nominal Thickness	26,6 mm	30,4 mm	a) 6/12/Pyrobel 25EG = 48,4 mm b) 6.8/12/Pyrobel 25 = 45,4 mm
Thickness Tolerance	± 2 mm	± 2 mm	± 3 mm
Weight	60 kg/m <sup>2</sup>	68 kg/m <sup>2</sup>	a) 83 kg/m <sup>2</sup> b) 76 kg/m <sup>2</sup>
Dimension Tolerance	± 2 mm	± 2 mm	± 3 mm
Light Transmission (EN410)	81 %	80 %	71 %
Ug Value (EN673)	5.2 W/(m <sup>2</sup> .K)	5.0 W/(m <sup>2</sup> .K)	2.6 W/(m <sup>2</sup> .K)
Safety Rating (BS6206 (EN12600))	Class A 1B1	Class A 1B1	Class A (*) a) NPД / 1B1 b) 1B1 / 1B1
Sound Reduction Rw index (EN12758)	40 dB	43 dB	44 dB (estimated)

(\*) On Pyrobel or 6.8 laminated glass side  
NPД = No Performance Determined

## APPLICATIONS AND CERTIFICATION according to BS 476:PART 22:1987

APPLICATIONS	MAXIMUM DIMENSIONS (*) (Width x Height)	GLASS TYPE	CERTIFICATION
Timber Doorsets (Certifire & Q-Mark approved)	710 x 1830 mm	Pyrobel 25 & 25EG	Certifire CF377 Chiltern Chilt/A05178
Timber Screens	1658 x 2874 mm 2283 x 2000 mm	Pyrobel 25, 25EG & Double Glazed	Certifire CF377
Steel Doorsets - RP Technik Isofeu 60 or Certifire approved	988 x 2900 mm 1282 x 2300 mm	Pyrobel 25 & 25EG	Certifire CF377
	898 x 2875 mm 1122 x 2300 mm	Pyrobel 25 & 25EG Double Glazed	Certifire CF377
Steel Screens - Calcium silicate insulated steel frame or Certifire approved	1300 x 2300 mm 2615 x 1500 mm	Pyrobel 25 & 25EG	Certifire CF377
Steel Screens - Forster Fuegolight	1400 x 2900 mm 1750 x 2700 mm	Pyrobel 25 & 25EG	Certifire CF377
Steel Screens - Jansen Janisol 3	1600 x 2900 mm	Pyrobel 25 & 25EG	Certifire CF377
Steel Screens - Forster Thermfix Vario, Jansen VISS or Certifire approved	1875 x 2900 mm 2900 x 1082 mm	Pyrobel 25 & 25EG Double Glazed	Certifire CF377
Aluminium Screens - Sapa SFB 3074 or Schüco Firestop II	1425 x 2700 mm	Pyrobel 25 & 25EG	Certifire CF377
Aluminium Screens - Schüco Firestop II	1404 x 2686 mm	Pyrobel 25 & 25EG Double Glazed	Certifire CF377

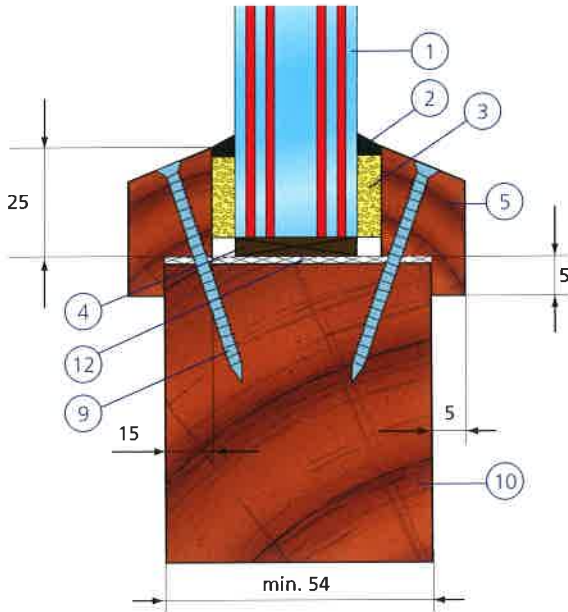
(\*) For alternative dimensions within pane area please consult AGC Glass Europe

# PYROBEL 25

FIRE RATING: 60 MINUTES INTEGRITY / 60 MINUTES INSULATION

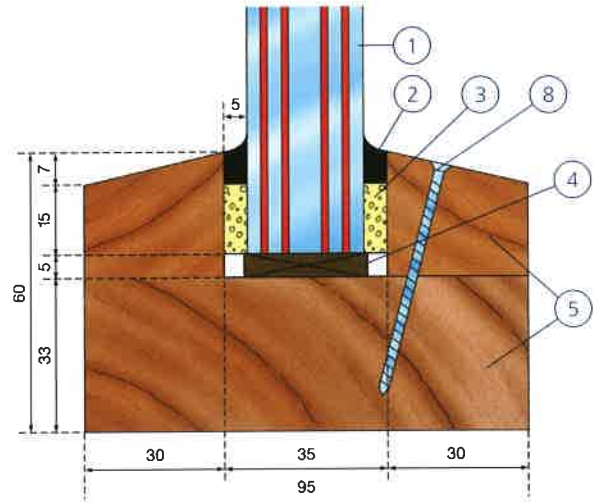
(dimensions in mm)

## Timber Doorset



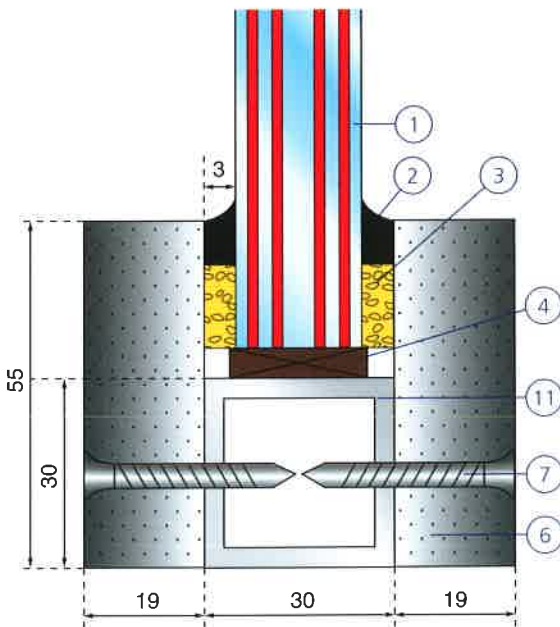
REPORT CHILTERN CHILT/A05178

## Timber Screen



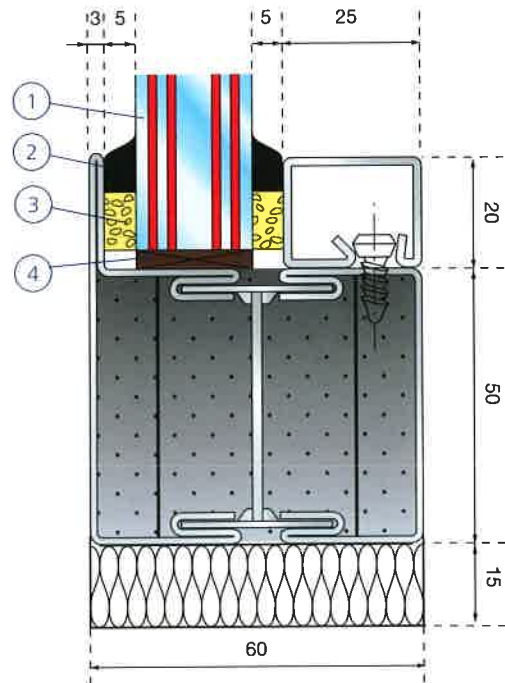
REPORT CERTIFIRE CF377

## Steel Screen



REPORT CERTIFIRE CF377

## Steel Screen - Jansen Janisol 3



REPORT CERTIFIRE CF377

- 1 Pyrobel 25
- 2 Neutral silicone
- 3 Foam tape with closed cells
- 4 Setting block
- 5 Hardwood
- 6 Calcium Silicate

- 7 Steel screws 35 x 4 mm at 250 mm centres
- 8 Steel screws 50 x 4 mm at 250 mm centres
- 9 Steel screws 60 x 4 mm
- 10 Wood or other approved constructions
- 11 Steel tube 30 x 30 x 3 mm
- 12 Therm-A-Strip 2 mm thick

Diagrams for illustration purposes only. For full glazing details please refer to the relevant test report.

www.yourglass.com



### AGC GLASS EUROPE

Overseas markets : AGC Glass Europe - Seneffe plant - Tel. +32(0)64 51 05 19 - Fax +32(0)64 55 80 80 - pyrobel@eu.agc.com  
 United Kingdom & Ireland : AGC Glass UK Ltd - Tel. +44(0)1788 535353 - Fax +44(0)1788 560853 - sales.uk@eu.agc.com