

VETROTECH
FIRE RESISTANCE



Saint-Gobain
Glass Solutions

SGG SWISSFLAM® SF30-N2

Fire-test Certification Summary

*Fully Insulating Clear
Fire Resisting Glass*

*Multi-Panel Steel Screen / Partition
52 Minutes Integrity
42 Minutes Insulation*

Test Institute: Warrington Fire Research Centre

Test Number: 120979

Test Standard: BS EN 1364-1:1999

Test Sponsor: Vetrotech Saint-Gobain
International AG

SAINT-GOBAIN GLASS PROTECT

SGG SWISSFLAM® SF30-N2

Test Institute: Warrington Fire Research Centre

Test Number: 120979

Test Date: 9 November 2001

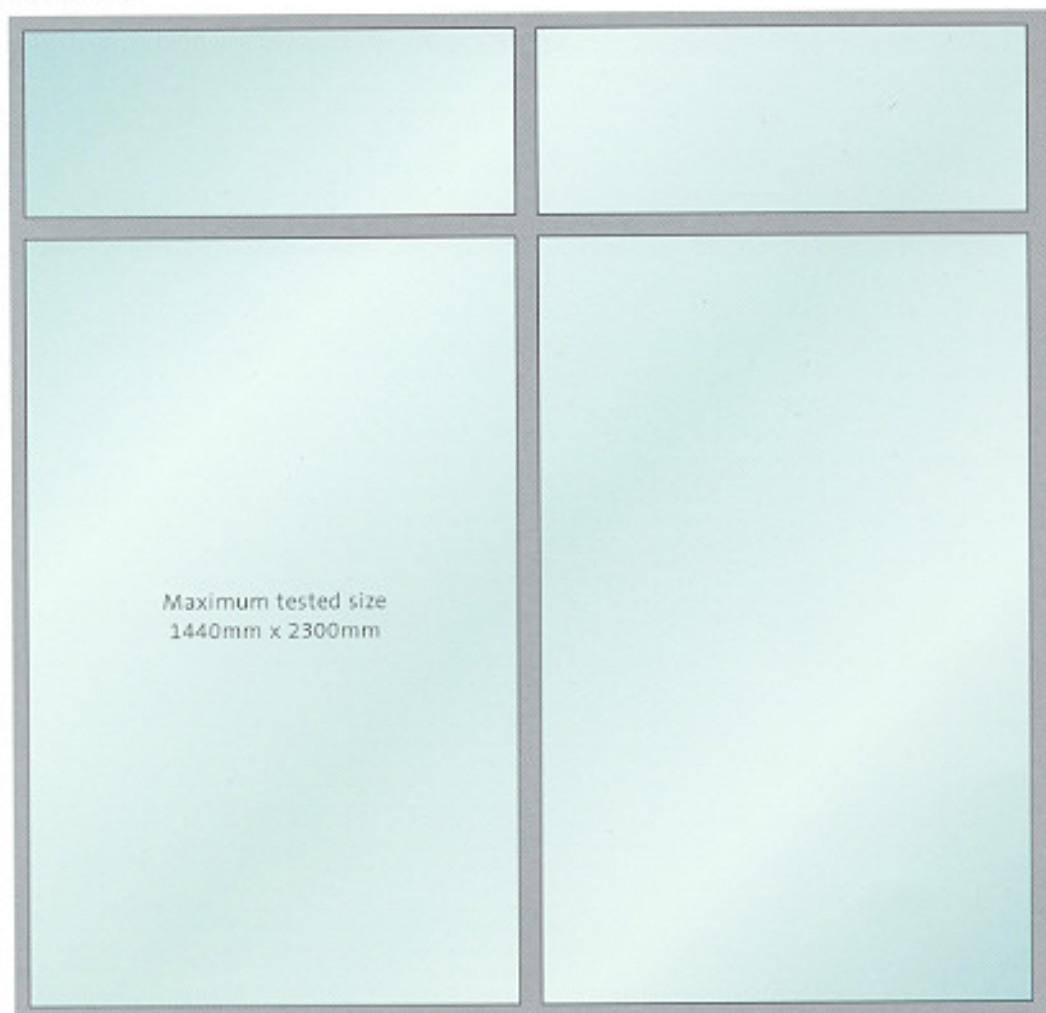
Test Standard: BS EN 1364-1:1999

Test Sponsor: Vetrotech Saint-Gobain International AG

Test Result: 52 minutes integrity
42 minutes insulation

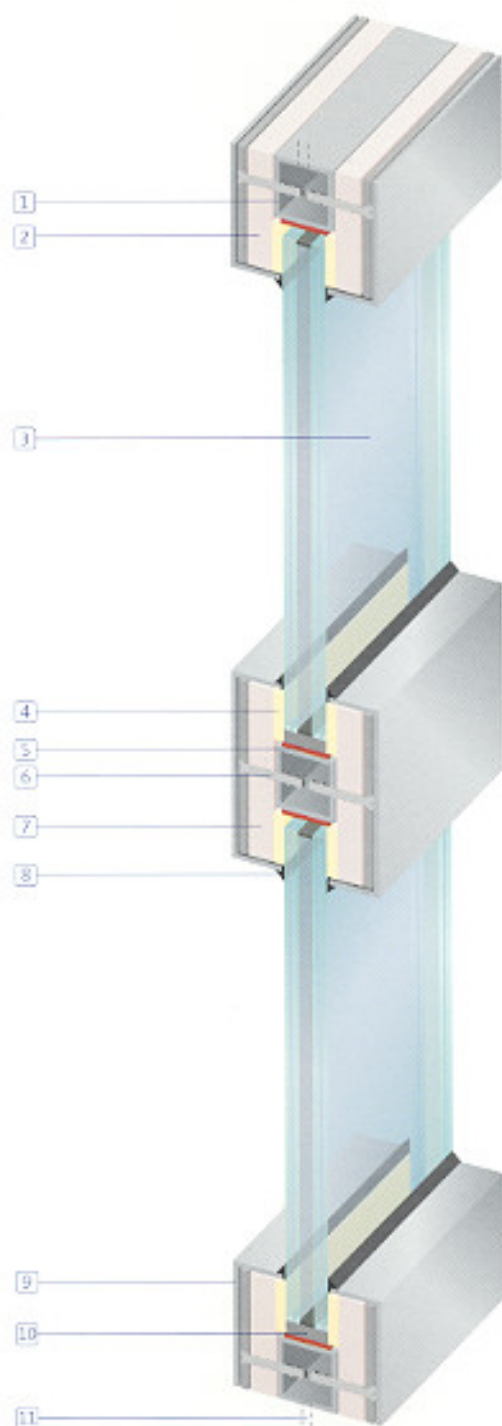
Summary: A multi-panel steel framed screen of overall dimensions 2975mm x 2990mm, incorporating a full height mullion and one transom member. Glazed with 4 no. panes of 16mm thick SGG SWISSFLAM SF30-N2 fully insulating clear fire resisting glass, retained within the frame on either face by cladding sections. Subjected to a test in accordance with BS EN 1364-1 for a separating element, to 52 minutes integrity and 42 minutes insulation (EI30).

Elevation



SGG SWISSFLAM® SF30-N2

Section



Parts list

1. Square hollow section steel tubes 25mm x 25mm x 2mm thick
2. Promatect H calcium-silicate board 10mm x 45mm
3. sgg SWISSFLAM SF30-N2 fully insulating clear fire resisting glass
4. Kerafix ceramic glazing tape 20mm x 6mm (compressed to 3mm)
5. Flexpan 200 intumescent strip 17mm x 2mm
6. Stainless steel machine screws 6mm diameter x 25mm long @ 300mm centres
7. Promatect H calcium-silicate board 10mm x 65mm
8. Silicone capping
9. Aluminium or stainless steel cladding (optional)
10. Non-combustible setting blocks 80mm x 17mm x 5mm
11. Fischer anchor bolts 10mm diameter x 115mm long @ 300mm centres

SGG SWISSFLAM® SF30-N2

Construction

The frame was made from square hollow section steel tubes with 'Promatect H' calcium-silicate cladding sections fitted by stainless steel machine screws 6mm diameter x 25mm long at 300mm centres. The perimeter frame had overall section dimensions 50mm x 45mm. The overall dimensions of the transoms and mullions was 50mm x 65mm. All joints were welded. The perimeter frame was fixed using 'Fischer' anchor bolts 10mm diameter x 115mm long at 300mm centres. The frames were glazed with SGG SWISSFLAM SF30-N2 glass, supported on 'Promatect H' setting blocks 80mm x 17mm x 5mm, 2 no. per glass pane. Between the face of the glass and the cladding sections, Kerafix ceramic paper tape 20mm wide x 6mm thick (compressed to 3mm) was fitted. Directly underneath the glass edges, to the inside faces of each aperture, 'Flexpan 200' intumescent strip 17mm wide x 2mm was fitted.

Performance

The specimen satisfied the performance requirements specified in Clause 11 of BS EN 1364-1, for a separating element, for the following periods:

Integrity: 52 minutes

Insulation: 42 minutes

Glazing

1440mm wide x 595mm high
1440mm wide x 2300mm high
(Nominal edge clearance 5mm /
Edge cover 15mm ±2mm)

Safety

SGG SWISSFLAM SF30-N2 fully insulating clear fire resisting glass is a Class A safety glazing material, in accordance with BS 6206:1981.

Product description

SGG SWISSFLAM SF30-N2 is a fully insulating clear fire resisting glass. Produced from high performance laminated safety glass incorporating an advanced intumescent interlayer, which when exposed to fire turns opaque to form a fully insulating barrier to heat, smoke and flames. For use in doors and partitions of steel or timber construction, for 30 minutes integrity and insulation (EI30) fire resisting applications.

Installation

SGG SWISSFLAM SF30-N2 should be glazed in accordance with our recommendations to ensure full compliance with the relevant fire-test certification. Each panel must be ordered to the correct size and shape, as the product cannot be cut down on site, after manufacture. Any subsequent alterations required to size or shape can only be carried out at an authorised cutting station or approved stockist. As part of the production process, SGG SWISSFLAM SF30-N2 has a special metallic protection tape applied to the glass edges. This must not be removed under any circumstances. The glass should not be glazed in a manner which would allow water to be trapped in the glazing channel as this may contaminate the intumescent interlayers. Once installed the glass should be immediately capped off with a suitable silicone.

Storage and handling

When handling SGG SWISSFLAM SF30-N2, particular care should be taken to avoid mechanical damage to the glass edges. Abrasions to glass panels which result in damage to the protective edge tape should be avoided, as the intumescent interlayer may be contaminated. Such panels should be inspected and replaced as necessary. SGG SWISSFLAM SF30-N2 should be stored in a dry environment. The glass edges should be supported on timber battens or other non-abrasive materials and stacked upright. During storage, the glass should not be exposed to temperatures likely to exceed or fall below +45°C / -10°C.

Maintenance

SGG SWISSFLAM SF30-N2 glass requires no special maintenance procedures. Once installed the glass should be cleaned regularly using warm water and a liquid detergent, washed down with clean water. Damaged or broken panels should be replaced, as this could affect the fire performance capabilities of the product.

Technical advice

A Technical Advice Service is in daily operation at Vetrotech Saint-Gobain U.K. Ltd. where comprehensive information can be obtained on the correct use and application of the wide range of fire resisting glass products available.

If you would like more information or help, please call Vetrotech Saint-Gobain on 0113 239 1500 or contact us by email on infovsguk@vetrotech.co.uk

SAINT-GOBAIN
GLASS

VETROTECH
FIRE RESISTANCE
Saint-Gobain
Glass Solutions

Represented by